

# UPTOWN

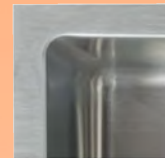
CONTEMPORARY RANGE

by BROADWAY

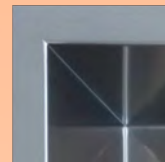
## UTR200 / UTS200

single bowl sink

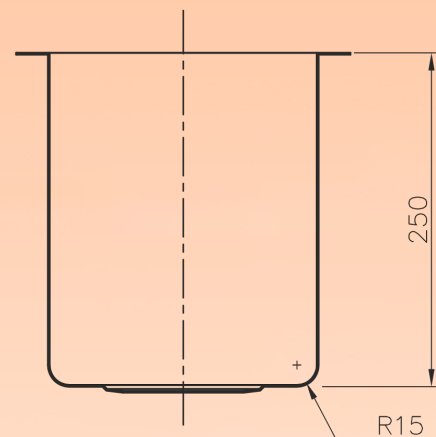
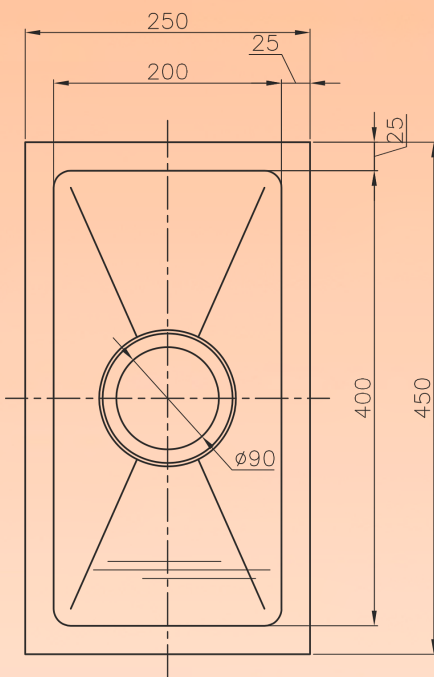
250 Series



UTR200  
Radius  
corner



UTS200  
Square  
corner



Overall size: 250mm x 450mm x 250mm  
Main Bowl Size: 200mm x 400mm x 250mm

### UTR200 (radius corner) / UTS200 (square corner)

Available with square or radius corners  
Suitable for top-mount or under-mount.  
Made from 1.2mm 304 stainless steel.  
All sinks are 250mm deep.  
Alternate sizes available in project quantities.

#### Complete with:

90mm designer basket waste.  
Sound deadening pads.  
Anti-condensation coating.

#### Warranty

All stainless steel products come with a 5 year manufactures warranty.

Strachan Bathroomware takes all care when compiling information sheets but accepts no liability either directly or indirectly from the use of such information.



Strachan Bathroomware P/L

ABN 82 955 275 562

PO Box 1534 Hornsby Westfield NSW 1635

Mobile No. 0419 254 389

Email: [enquiry@strachanbathroomware.com.au](mailto:enquiry@strachanbathroomware.com.au)

[www.strachanbathroomware.com.au](http://www.strachanbathroomware.com.au)

